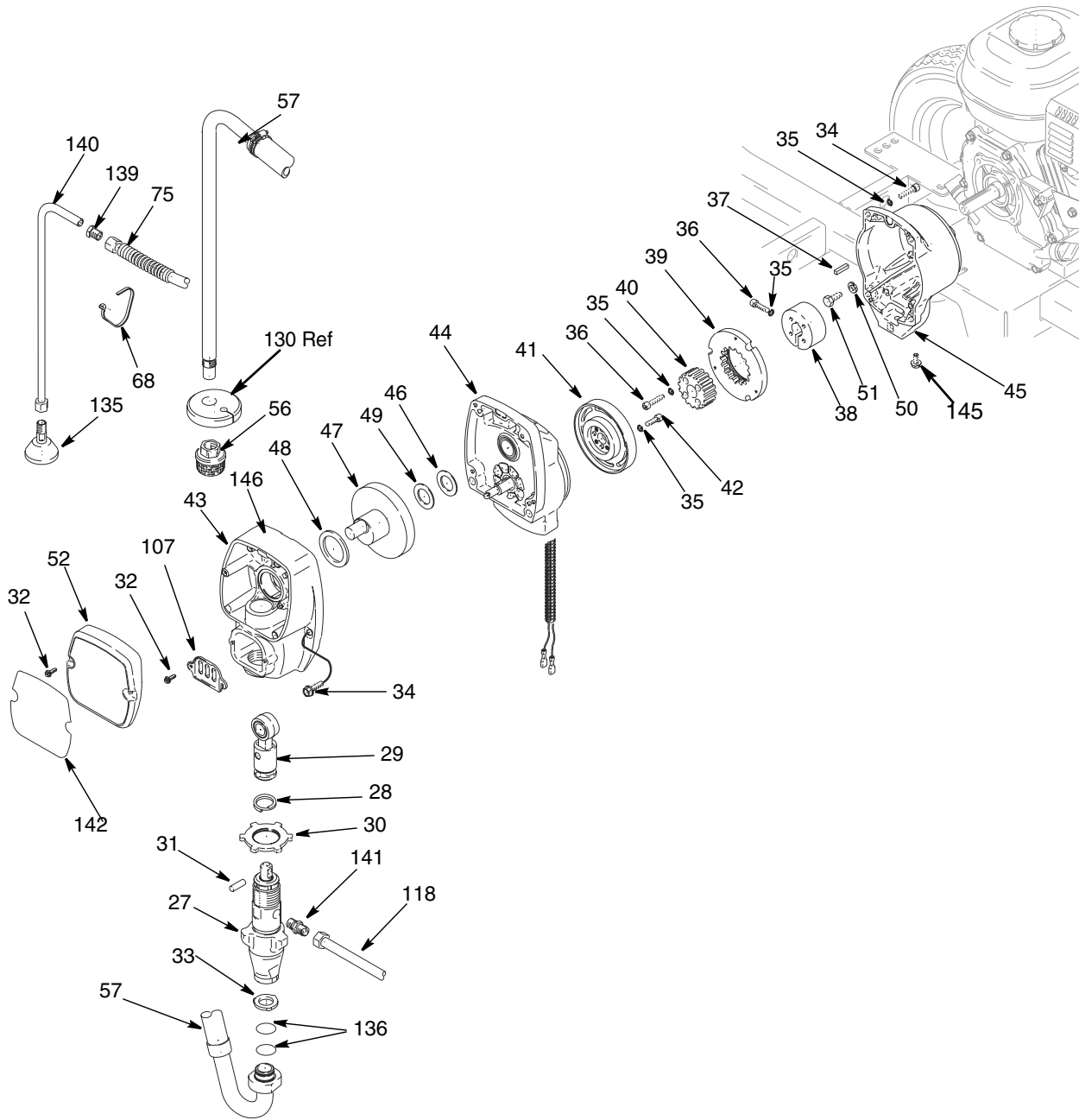


Ref. No.	Part No.	Description	Qty.	Ref. No.	Part No.	Description	Qty.
1	287630	FRAME, LL	1	85	114808	CAP, vinyl	1
2	119542	WHEEL, small	1	86	119569	BUSHING, strain relief	1
3	119543	WHEEL, large	2	89	15E955	HOLDER, bucket	2
4	15F127	FORK, painted	1	90	100057	SCREW, cap, hex hd	1
5	119532	BEARING, flanged	2	91	113665	SCREW, cap, hex hd	1
6	15E780	PIN, fork	1	93	119554	NUT, lock, nylon, thin pattern	4
7	15E773	DISK, adjuster	1	94	248912	BAR, handle, LL	1
8	15E792	PIN, lever	1	97	116935	SCREW, cap, flnghd	2
9	101566	NUT, lock	7	108	116719	SCREW, 8-32 hex washer head	2
10	114682	SPRING, compression	1	110	110837	SCREW, flange, hex	2
11	108471	KNOB, pronged	1	111	110838	NUT, lock	2
14	287682	LEVER, caster, includes 26	1	112	118866	WASHER, flat, extra thick	1
15	108879	ENGINE, gasoline, 4.0 hp	1	114	110963	SCREW, cap, flng hd	2
16	206994	FLUID, TSL, 8 oz	1	115	111040	NUT, lock, insert, nylock, 5/16 in.	3
18	249080	HOSE, coupled, 1/4 in. x 50 ft, nickel	1	129	101550	SCREW, cap, sch	2
19		KIT, pail cover		130	15F514	GASKET, pail	1
	287590	Model 248861	1	131	15C871	CAP, leg	2
	240926	Model 249007	1	132	100731	WASHER	2
53	194310	LEVER, actuator	2	137	119579	CONDUCTOR, ground	1
54	115077	PAIL, plastic	1	143	15F549	LABEL, identification	1
55	116139	GRIP, handle	2	144▲	194126	LABEL, warning	1
59	15E992	CABLE, gun	1	147	112798	SCREW, thread forming, hex hd	1
60	15E993	ROD, brake	1	148	237686	WIRE, ground assembly w/ clamp	1
64	119563	WASHER, belleville	4	149▲	15F638	LABEL, GMAX warning fire & skin	1
65	15E996	SPACER, wheel	2	150▲	15F637	LABEL, GMAX warning skin inject	1
66	15E995	HARNESS, wiring, control	1	151	15F928	BUSHING, strain relief	1
74	241445	CABLE, caster	1	153	111025	GASKET, polypropylene (Wagner)	1
81	195134	SPACER, ball, guide	1	158	114802	STOP, wire	1
82	198891	BRACKET, mounting	1	184	119771	STRAP, cover (Model 249007)	1
83	198931	BEARING	1				
84	113961	SCREW, cap, hex hd	1				



Ref No.	Part No.	Description	Qty	Ref No.	Part No.	Description	Qty
27	246428	PUMP, displacement, st	1	49	107434	BEARING, thrust	1
28	196750	SPRING, retaining	1	50	100214	WASHER, lock	4
29	287053	ROD, connecting	1	51	108842	SCREW, cap, hex hd	4
30	195150	NUT, jam, pump	1	52	287487	COVER, front, painted, includes 32	1
31	196762	PIN, straight	1	56	246385	STRAINER, 7/8-14 unf	1
32	117501	SCREW, mach, hex washer head	4	57	287683	HOSE, suction, includes 33, 56, 130, 136	1
33†	115099	WASHER	1	68	114958	STRAP, tie	5
34	119426	SCREW, mach, hex washer hd	8	75	249232	HOSE, cpld, 1/4 in. X 3 ft	1
35*	105510	WASHER, lock, spring (hi-collar)	10	107	15B589	COVER, pump rod	1
36*	108803	SCREW, hex, socket head	6	118	249149	HOSE, coupled, 1/4 X 22.25 in.	1
37	183401	KEY, parallel	1	135	241920	DEFLECTOR, threaded	1
38	193680	COLLAR, shaft	1	136†	117559	O-RING	2
39*		ARMATURE, clutch, 4 in.	1	139	196180	BUSHING	1
40*		HUB, armature	1	140	198601	TUBE, drain	1
41*		ROTOR, clutch, 4 in.	1	141	196181	FITTING, nipple	2
42*	101682	SCREW, cap, sch	4	142	15F538	LABEL, identification	1
43	287483	HOUSING, drive, 3400, includes 32, 34	1	145	112395	SCREW, cap, flnghd	1
44	287376	HOUSING, pinion, 3400	1	146	290228	LABEL, caution	1
45	15E535	HOUSING, clutch, machine, 3400	1				
46	116074	WASHER, thrust	1				
47	287484	CRANK, GMAX 3000, includes 46, 48, 49	1				
48	180131	BEARING, thrust	1				

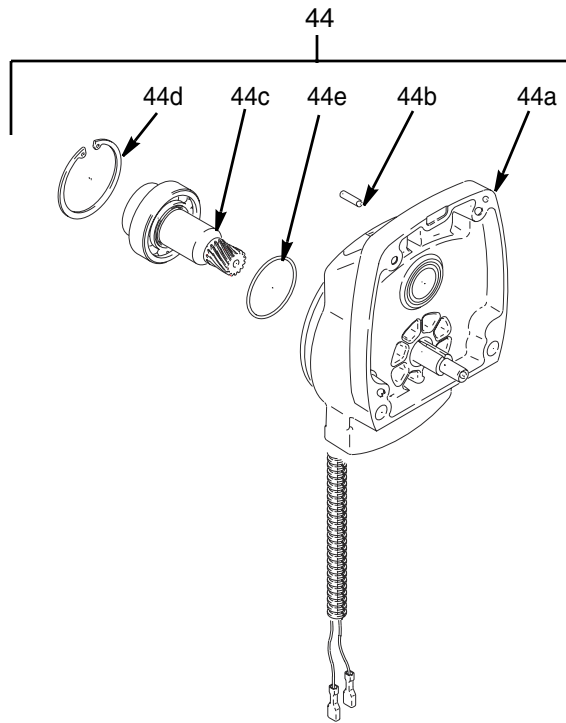
▲ Replacement Danger and Warning labels, tags, and cards are available at no cost

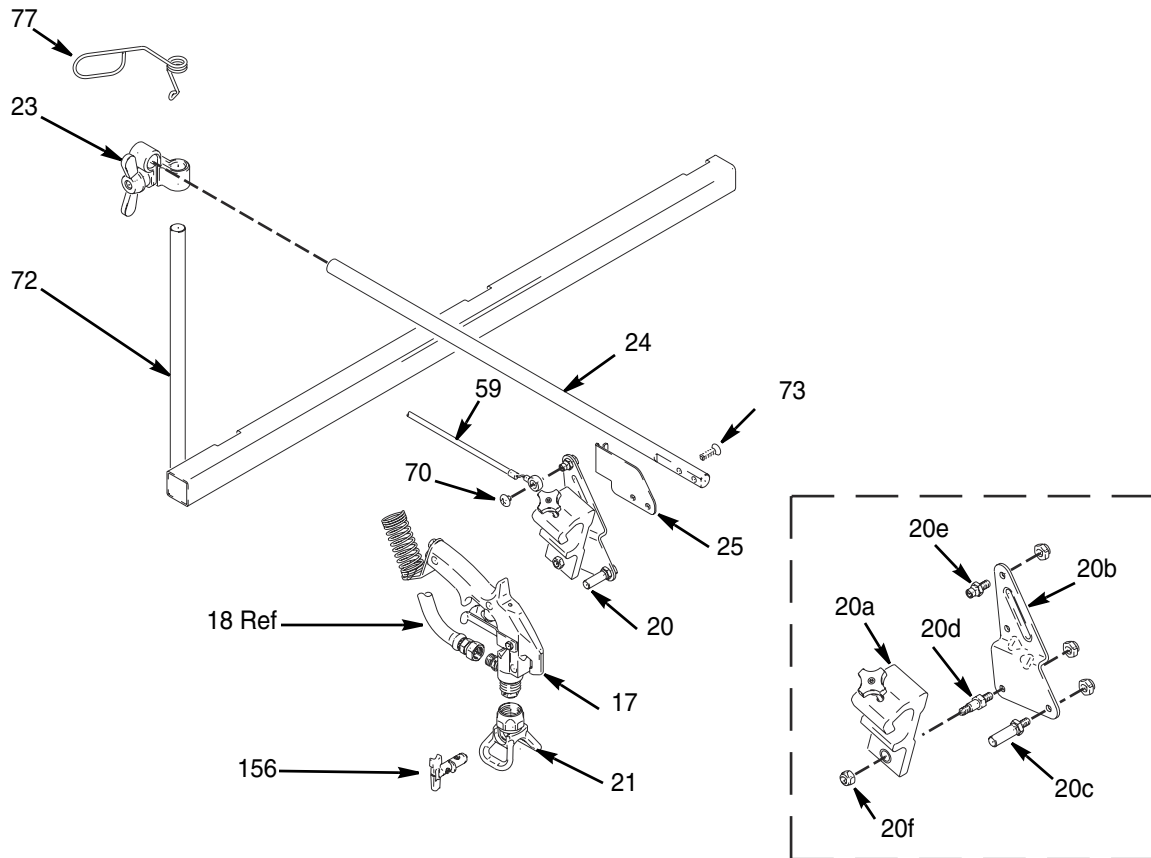
* Included in Clutch Replacement Kit 241109

† Included in Suction Hose Kit 249356

No.	Part No.	Description	Qty
44	287376	PINION HOUSING	1
44a	287482	KIT, repair, coil	1
44b	105489	PIN	2
44c*	287485	PINION SHAFT	1
44d*	113094	RETAINING RING, large	1

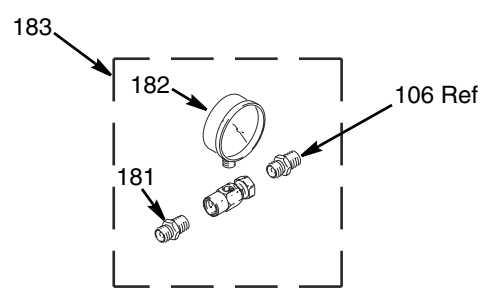
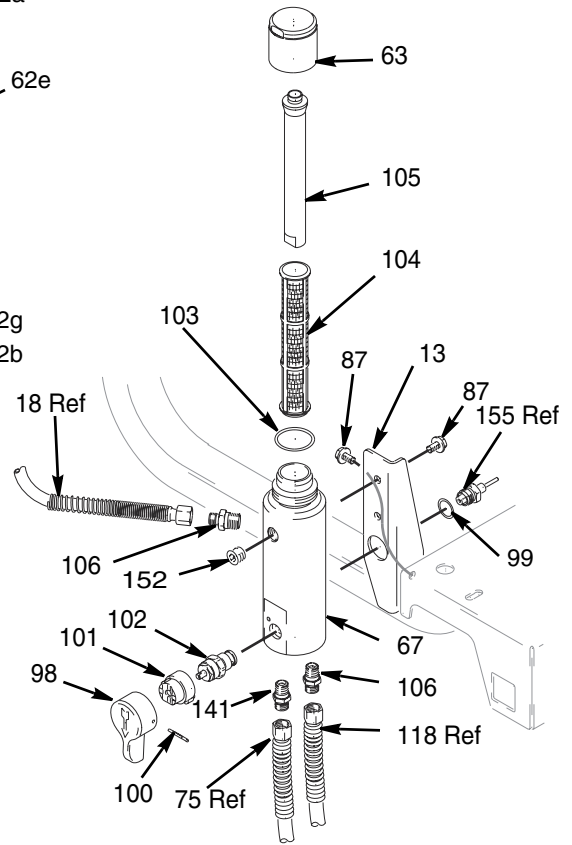
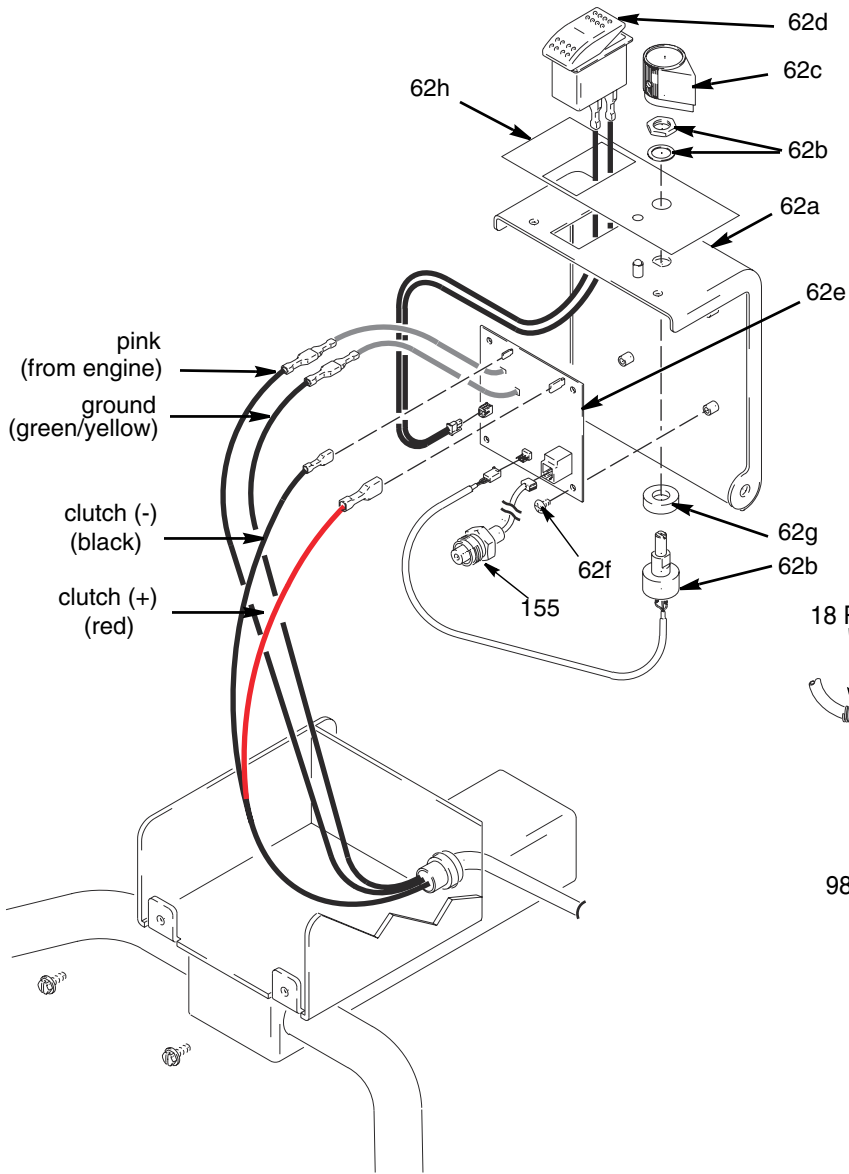
* May be ordered separately





LineLazer IV 3400 Striper

Ref	Part	Description	Qty	Ref	Part	Description	Qty
				23	287566	KIT, clamp	1
				24	15F212	ARM, holder, gun	1
17	248157	GUN, Flex, basic	1	25	15F213	BRACKET, cable	1
20	287570	HOLDER, gun	1	59	15E992	CABLE, gun	1
20a	287569	HOLDER, gun	1	70	119648	SCREW, mach, trusshd, cross recess	1
20b	15F214	LEVER, actuator	1	72	224052	BRACKET, support gun	1
20c	15F209	STUD, pull trigger	1	73	119647	SCREW, cap, socket, flthd	2
20d	15F210	STUD, pivot	1	77	188135	GUIDE, cable	1
20e	15F211	STUD, cable	1	156	LL5319	TIP, spray, striping	1
20f	102040	NUT, lock	4				
21	243161	GUARD, RAC 5	1				



Ref	Part	Description	Qty	Ref	Part	Description	Qty
13	15E748	BRACKET, manifold	1	100*	15C972	PIN, grooved	1
62		CONTROL, assy		101*	224807	BASE, valve	1
62a	15E991	COVER, control box	1	102*	239914	VALVE, drain	1
62b	256219	POTENTIOMETER	1	103*	117285	O-RING	1
62c	116167	KNOB, potentiometer	1	104*	244067	FILTER, fluid	1
62d	116752	SWITCH, rocker	1	105*	15C766	TUBE, diffusion	1
62e	287486	BOARD, control, 3400	1	106	196177	ADAPTER, nipple	2
62f	113045	SCREW, sems, mach, phillips, truss	4	141	196181	FITTING, nipple	1
62g	198650	SPACER, shaft	1	152*	101748	PIPE, plug, sst	1
62h	15F540	LABEL, instructions	1	155*	15F782	HARNES, transducer, line striper	1
63*	287285	CAP, manifold, includes 103, 105	1	181	196178	NIPPLE, 3/8 x 3/8 in.	1
67*	15H561	MANIFOLD, filter	1	182	102814	GAUGE, pressure fluid	1
87	111801	SCREW, cap, hex hd	4	183	241339	KIT, gauge, 3/8 in., includes 181, 182	1
98*	15C780	HANDLE	1				
99*	111457	O-RING	1				

* Included in Filter Repair Kit 287685

